

WatchNET

Integrated Digital Technologies



M-DVR1000-KIT / M-DVR1000G-KIT



Features:

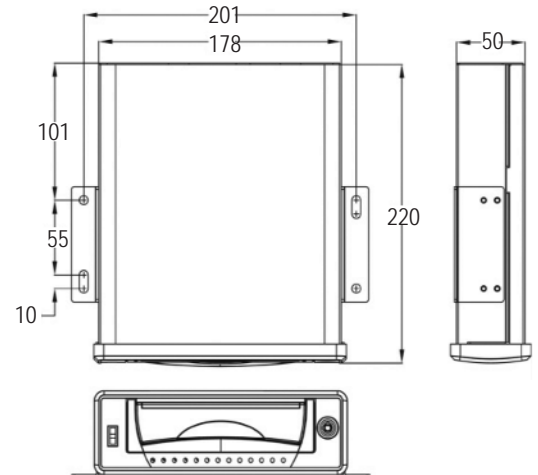
- ❖ New standard for mobile DVR with H.264 video compression
- ❖ Standard 1DIN compact auto mobile electronic interface
- ❖ Multi-information display and recording: Car Number, Time, Channel, Speed, and Station name information, easy setup of overlay and recording
- ❖ Built-in power regulator from 8 to 60V, protection of overvoltage/under-voltage, short circuit and over-current
- ❖ Weather proof high performance plugs and connectors
- ❖ Removable HDD-carriage with dual SD card backup and built-in vibration and shock protection
- ❖ Multi-Interface such as USB 2.0, Dual Ethernet port, RS232, RS485 port, VGA and CCTV out, Alarm in/out etc.
- ❖ Powerful network software: built-in web server, multi-DVR client, MBS(mobile video surveillance software) & CMS
- ❖ Watermark Technology: it can prevent modifying data & guarantee the authenticity of the record

Mobile Stand Alone DVR

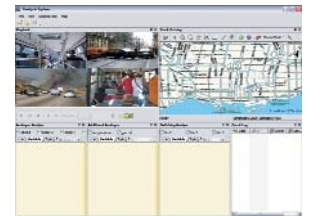
Rear Panel



Dimension



www.watchnetdvr.com



CANADA
351 Ferrier Street, Unit 5
Markham, ON L3R 5Z2
Toll Free: 1-866-843-6865
Tel: 416-410-6865
Fax: 1-866-331-3341

USA:
700 Ensminger Rd. Suite 104
Tonawanda, NY 14150 USA
Toll Free: 1-866-843-6865
Local: 1-717-687-8736
Fax: 1-866-331-3341

INDIA:
E-98, Ground Floor
Lajpat Nagar-I
New Delhi-110024
Toll: +91 11 29824005
Fax: +91 11 29824005

UAE:
P O Box No 8425
Dubai, UAE
Tel: + 971 4 3584458
Fax: + 971 4 3584458
Mobile: + 971 50 5869290



Specifications:

	Model	M-DVR1000-KIT
System	Main Processor	High performance embedded microprocessor
	Operating System	Embedded LINUX
	System Resources	Pentaplex function: live, recording, playback, backup & remote access
	User Interface	GUI, on-screen menu tips
	Control Mode	USB mouse, IR remote control, Keyboard, Network
	Storage Device	Main memory:removable 200GB 2.5" SATA HDD, Auxiliary memory 2SD cards, Pluggable HDD-case Backup: USB storage device, HDD faulty alarm & Raid (Redundancy)
Video	External Interface	2 USB 2.0 ports, 2RS232 ports, RS485 port, 2RJ45 ports (10/100M), Alarm input and output (4 input and 2 output)
	Input	4 channel, Air connector to BNC(1.0Vp-p, 75 Ω)
	Standard	NTSC(525Line, 60f/s), PAL(625Line, 50f/s)
	Output	2 channel TV, Air connector to BNC(1.0Vp-p, 75 Ω), 1 VGA(RJ45 port extension, (default without extension cable)
Audio	Video Recording	CIF/QCIF: NTSC 1f/s-30f/s PAL 1f/s-25f-s
	Standard	NTSC(525Line, 60f/s), PAL(625Line, 50f/s)
	Input	4 channel, Air connector to BNC(200-2800mV, 30K Ω)
	Output	2 channel, Air connector to BNC(200-3000mV, 5K Ω)
	Bidirectional Talk	1 channel Input, (200-2800mV, 30K Ω), 1 channel Output, (200-3000mV, 5K Ω), 4-pin port extension
Display	Audio Out S/N Ratio	High than 75dB
	Audio Compression	PCM, Sampling frequency: 8KHz, Sampling bits:16bit
	Display Split	one / four
	Resolution	1280 \times 1024, 1280 \times 720, 1024 \times 768, 800 \times 600
	Tour Display	Support
Recording	Privacy Masking	4 self-defined four-sided zones for privacy masking for each camera
	OSD	Camera title, time, video loss, camera lock, motion detection, recording
	Video/Audio Compression	H.264 / P
	Image Resolution	D1/4CIF(704 \times 576/704 \times 480) / HD1(352 \times 576/352 \times 480) / 2CIF(704 \times 288/704 \times 240) / CIF(352 \times 288/352 \times 240) / QCIF(176 \times 144/176 \times 120)
	Encoding Speed	Channel 1: D1/HD1/2CIF/CIF(1-25/30fps) Channel 2-4: CIF(1-25/30fps)
	Bit Rate	32-2048Kb/s
	Image Quality	1-6 level(level 6 is the best, VBR effectively)
Video Detection & Alarm	Recording Mode	Manual, Schedule (Regular/Continuous), MD(Video detection: Motion detection, Camera mask, Video loss, Alarm), Stop
	Recording Priority	Manual >Alarm >MD >Regular
	Recording Interval	1-120 min. (default: 60 min.), Pre-record: 1-30 sec., Post-record: 10-300 secretary
	Trigger Events	Recording, PTZ movement, Tour, Alarm, Email, Spot output
Playback & Backup	Motion Detection	Zones: 396(22 \times 18), Sensitivity: 1-6 (level 6 is highest)
	Video Loss & Camera Blank	Support
	Alarm Input / Relay Output	7 channel / 2 channel
	Playback Channel	1/2/4
Network	Search Mode	Time/Date, Alarm, Motion Detection & Exact search (accurate to second)
	Playback Functions	Play, Pause, Stop, Rewind, Fast play, Slow play, Next file, Previous file, Next camera, Previous camera, Full screen, Repeat, Shuffle, Backup selection, Digital zoom (any size)
	Backup Mode	Pluggable HDD-case / Flash drive / USB HDD / USB CD/DVD-RW / SD card / Network download
Environmental	Interface	Dual RJ-45 port (10/100M)
	Network Functions	TCP/IP, UDP, DHCP, DNS, IP Filter, PPPOE, DDNS, FTP, Email, Alarm Server
	Remote Operation	Real Time Monitor, PTZ control, Playback, System setting, File download, Log information, Snapshot, recording search, system configuration
	Power Supply	+12V / +24V / +42V(+8V~+60V)
	Power Consumption	<15W(with HDD)
	Working Environment	-10 $^{\circ}$ C~+55 $^{\circ}$ C / 10~90%RH / 86~106kpa
	Dimension	178mm \times 200mm \times 50mm(W \times D \times H)
	Weight	2.1KG(with HDD)
Environmental	Vibration-proof	5Hz-300Hz: X / Y / Z each direction 8 hours, 5Hz-11Hz: Vibration amplitude 10mm 11Hz-300Hz: 50m/s ²
	Rated Current / Starting Current	= 1A (including HDD) / =1.5A
	Electromagnetic Compatibility	GB 13837-2203

All product specifications on this brochure are subject to change without notice.