

XDD

XTREME DIGITAL DYNAMICS



XDD-DV-IR / XDD-DV-IR-P

WatchNET

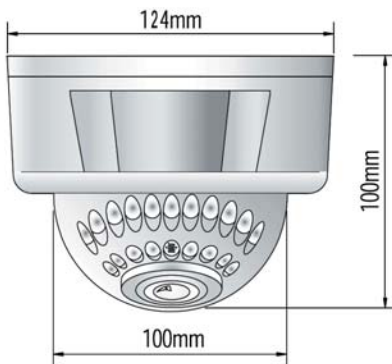
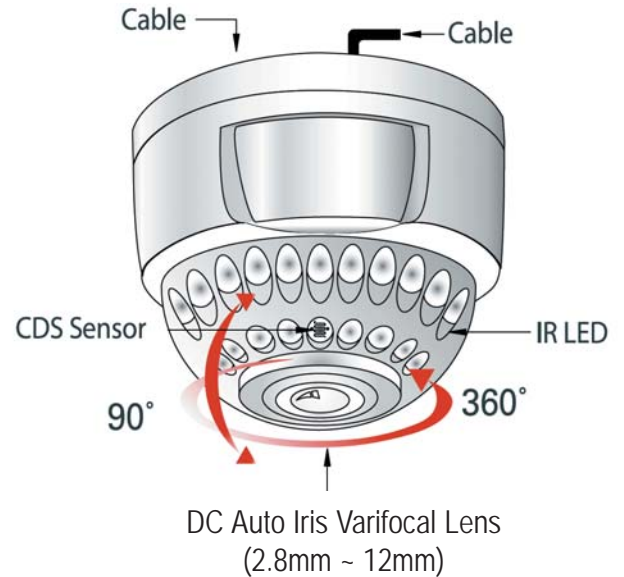
Integrated Digital Technologies



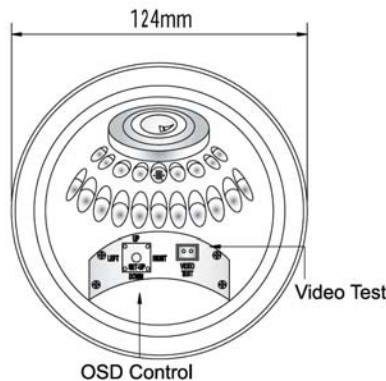
Features:

- ❖ XDD dome is newest in technology advancement, True Day / Night Capability
- ❖ Low light DNR and unique **SENSEFIER** technology brightens up the night without IR illuminator
- ❖ Flexible 3 Axis mount with sealed IP66 Housing makes this camera stand up to most adverse weather conditions
- ❖ 2.8 mm to 12 mm varifocal lens with IR cut filter coupled with 3 DNR and sensitive technology, gives crisp clear picture in star light condition
- ❖ Flexible OSD function gives the camera adjustable menu functions to suite indoor / outdoor applications
- ❖ Flush or surface mount

ULTRA HI RESOLUTION



FRONT



SIDE





1. Normal



2. D-WDR ON



1. Normal IR



2. Smart IR

| SPECIFICATIONS | XDD-DV-IR(NTSC) / XDD-DV-IR-P(PAL) |
|--------------------------|--|
| Sensor | 1/3" Sony Super HAD II CCD |
| Total Pixels | NTSC=811(H)x508(V) / PAL=795(H)x595(V) |
| Effective Pixels | NTSC=768(H)x494(V) / PAL=752(H)x582(V) |
| Scanning System | 2:1 Interlace |
| Synchronization | Internal / Line Lock |
| O.S.D. | Available |
| Dynamic Range | 52dB (*128) |
| Backlight | BLC / HSBLC / Off Selectable |
| Resolution | 600 TV Lines (Color), 680 TV Lines (B&W) |
| S/N (Y signal) | 52dB (AGC Off, Weight On) |
| Min. Illumination | 0.00001Lux F.1.2 (Sens-up*258X) / 0.00001Lux IR ON |
| Lens | 2.8mm ~ 12mm Auto Iris Varifocal IR Cut / Day & Night Lens |
| White Balance | ATW/AWB/Indoor/Outdoor/Manual/AWC |
| Electronic Shutter Speed | 1/60sec ~ 1/120,000sec |
| Sensefier | Auto/Fixed/Off (Selectable Limit*2~*258) |
| Gain Control | High/Middle/Low/Off Selectable |
| DNR | Off/On (1 ~ 50 Level Adjustable) |
| D-WDR | Indoor/Outdoor/Off |
| Motion Detection | On/Off (4 Zone, Alarm Output) |
| Privacy | On/Off (8 Zone) |
| Mirror | Off/Mirror/V-Rev/Rotate |
| Freeze | On / Off |
| Sharpness | 0 ~ 31 (Level Adjustable) |
| D&N Selection | Color/Auto/Ext/BW |
| Digital Zoom | On (*32) / Off |
| Blemish Compensation | 256 Point (Event 128 Point/ODD 128 Point) |
| Power | DC 12V (models XDD-DF, XDD-DV); Dual Voltage (models XDD-VDV, XDD-SBC) |
| Power Consumption | IR LED ON:700MA Max |
| Operating Temp./Humid | from -30°C ~ +50°C / -22°F ~ +122°F RH 95% Max |
| Storage Temp./Humid.. | -20°C ~ +60°C / -4°F ~ +140°F RH 95% Max |
| Dimension | 124mm(W) * 100mm(H) * 100mm(D) |
| Weight | 500g |

All logos & trade marks represent the registered users only. All right reserved.
 All product specifications on this brochure are subject to change without notice.

CANADA:
 351 Ferrier Street, Unit 5
 Markham, ON L3R 5Z2
 Toll Free: 1-866-843-6865
 Tel: 416-410-6865
 Fax: 1-866-331-3341

USA:
 700 Ensminger Rd. Suite 104
 Tonawanda, NY 14150 USA
 Toll Free: 1-866-843-6865
 Local: 1-717-687-8736
 Fax: 1-866-331-3341



info@watchnetdvr.com
 www.watchnetdvr.com

INDIA:
 E-98, Ground Floor
 Lajpat Nagar-I
 New Delhi-110024
 Tell: +91 11 29824005
 Fax: +91 11 29824006

UAE:
 P O Box No 8425
 Dubai, UAE
 Tel: + 971 4 3963067
 Fax: + 971 4 3963067
 Mobile : + 971 50 5869290