

IP MEGAPIXEL



MPIX - 20BC\*



# WatchNET

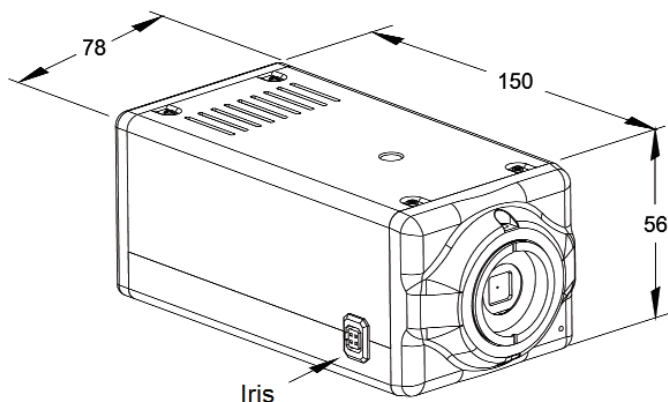
Integrated Digital Technologies



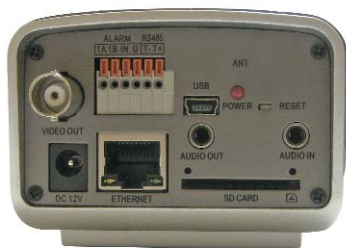
## 2.0 Megapixel IP Camera

### Features:

- ❖ 2.0 Megapixel Micron CMOS progressive scanning sensor
- ❖ H.264 Main Profile@Level 3 compression
- ❖ High Definition video over low network bandwidth
- ❖ Optional Support 3G mobile wireless remote control and view
- ❖ Support dynamic IP address, LAN, Internet (ADSL & Cable Modem)
- ❖ Support protocols: RTSP, RTP, HTTP, TCP/IP, UDP, SMTP, PPPoE, DDNS, DNS, SNTP,DHCP, FTP,SNMP;
- ❖ 1ch Mic input & 1ch linear audio output
- ❖ Auto-adjusting frame rate according to realtime network rate
- ❖ Alarm recording: video lost, motion detection and sensor alarm
- ❖ POE Support Optional
- ❖ Snap shot, Record & FTP Upload of images per schedule
- ❖ SD Card Recording
- ❖ Analog Video Spot Output (BNC)
- ❖ 4mm ~ 10mm Vari-focal Lens



64 HD-NDVR Software



Optional Hi Definition Megapixel Lens

www.watchnetdvr.com

Division of: **Videon**  
Integrated Digital Technologies Ltd.



Image Sensor	1/3" 2.0 Mega Progressive CMOS
Min. Illumination	1.0Lux
Video Format	Digital CMOS NTSC/PAL
Dual Stream	Yes (Main Stream / Sub Stream)
Video Compression	H.264 Main Profile@Level 3.0
Main Stream	1600 x 1200 (1~20 fps) 1280 x 960 (1~30 fps) 1280 x 720 (1~30 fps) 800 x 600 (1~30 fps)
Sub Stream	640 x 320 (1~30 fps) 320 x 180 (1~30 fps)
Video Bit rate	32 kbps ~ 16 Mbps
Audio Compression	G.726
Talkback Input	1 Ch MIC Interface
Audio Output	1 Ch Linear Output
Title OSD	Supports channel name, date, and video stream information overlay; OSD location is adjustable
SD Card Interface	SD2.0 standard, maximum storage 32G Support Video storage and image snapping
Alarm Input	1 Ch NC/NO Adjustable
Alarm Output	1 Ch NC/NO output, 120VAC 1A or 24VDC 1A
3G Connection	Optional 3G Model
Wi-Fi Connection (Optional)	MPix-20BC-W Support 802.11b/g protocol, 2.4GHZ Maximum wireless distance can be 100 meters Supports WEP, WPA, WPA2 Encryption Protocol
Power Input	DC12V/1.0A or DC12V/3.0A(refer to specific product model)
Power Consumption	6~10w (refer to specific product model)
Dimension	150mm x 56mm x 78mm / 5.9' x 2.2' x 3.07'

All logos & trade marks represent the registered users only. All right reserved.  
All product specifications on this brochure are subject to change without notice.  
Lens not included.

**CANADA:**  
351 Ferrier Street, Unit 5  
Markham, ON L3R 5Z2  
Toll Free: 1-866-843-6865  
Tel: 416-410-6865  
Fax: 1-866-331-3341

**USA:**  
700 Ensminger Rd. Suite 104  
Tonawanda, NY 14150 USA  
Toll Free: 1-866-843-6865  
Local: 1-716-877-7277  
Fax: 1-866-331-3341

[info@watchnetdvr.com](mailto:info@watchnetdvr.com)  
[www.watchnetdvr.com](http://www.watchnetdvr.com)

**INDIA:**  
E-98, Ground Floor  
Lajpat Nagar-I  
New Delhi-110024  
Tell: +91 11 29824005  
Fax: +91 11 29824005

**UAE:**  
P O Box No 8425  
Dubai, UAE  
Tel: + 971 4 3584458  
Fax: + 971 4 3584458  
Mobile : + 971 50 5869290