



WatchNET
Integrated Digital Technologies



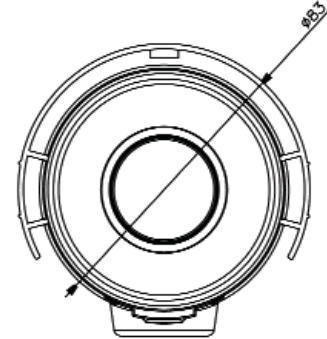
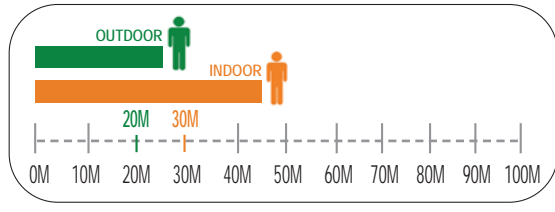
MPIX - 20B-IR
Weather Proof IR 2 Megapixel IP Camera



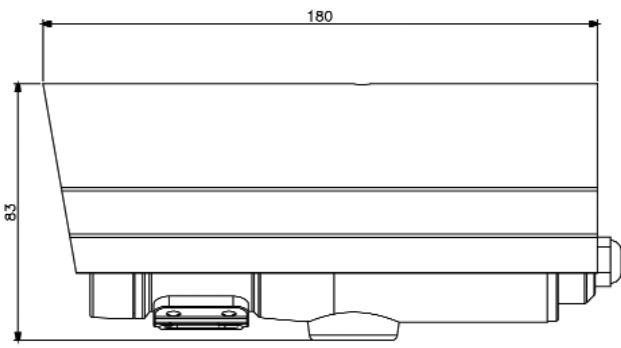
Real Time HD images
with Exceptional Clarity & Depth
Clear View IR Technology

Features:

- ❖ High Definition 1600x1200
- ❖ Analog Video out available
- ❖ IP 66 Weather proof housing
- ❖ Built-in 35 IR LED, IR Distance 20M
- ❖ 3.6mm ~ 16mm vari-focal lens
- ❖ 2-Megapixel low light CMOS sensor
- ❖ Power over Ethernet (POE)
- ❖ H.264/ JPEG / MPEG4 compression
- ❖ 2-way audio
- ❖ Mechanical IR Cut filter
- ❖ Support cell phone/PDA/3GPP
- ❖ Triple codec network streaming



64 HD-NDVR Software



www.watchnetdvr.com



System

Video Resolution	1600x1200, 1280x1024, 1280x960,1280x720,800x600,640x480, 320x240, 176x144
Video Adjust	Brightness, Contrast, Sharpness, BLC, Night Mode
Triple Streaming	Yes
CMOS Setting	Brightness, Contrast, Sharpness, BLC, Night Mode
Image Snapshot	Yes
Full Screen Monitoring	Yes
Privacy Mask	Yes, 3 different areas
Compression Format	H.264/ M-JPEG/ MPEG4(3GPP only)
Video Bitrates Adjust	CBR, VBR
Motion Detection	Yes, 3 different areas
Triggered Action	Mail, FTP, Save to SD card, Relay
Pre/ Post Alarm	Yes, configurable
Security	Password protection
Firmware Upgrade	HTTP mode, can be upgraded remotely
Simultaneous Connection	Up to 10
Audio	Yes, 2-way

SD Card Management

Recording Trigger	Motion Detection, IP check, Network break down (wire only), Schedule, relay
Video Format	AVI, JPEG
Video Playback	Yes
Delete Files	Yes

Client System Requirements

OS	Windows 2000, XP, 2003, Microsoft IE 6.0 or above
Suggested Hardware	Intel Dual Core 1.66G,RAM: 1024MB, Graphic card: 128MB
Minimum Hardware	Intel-C 2.8G, RAM: 512MB, Graphic card: 64MB

Hardware

CPU	ARM 9, 32 bit RISC
RAM / FLASH	256MB / 16MB
Image Sensor	1/3.2" CMOS (2 Magapixels)
Sensitivity	0 lux (IR On)
Lens	Yes, CS Mount
Support DC IRIS	Yes
ICR	Mechanical IR cut Filter
I/O	1 in/ 1 Relay Out
LED	Built-in 35 IR LED, IR Distance 20M
Video Out	1
Audio In	1
Audio Out	1
Power over Ethernet	Optional
Power	DC 12V, 500mA
Operating Temperature	-30°C ~ 50°C
Dimensions	83mm (W) x 180mm (D)

Network

Ethernet	10/ 100 Base-T
Network Protocol	HTTP, TCP/ IP, UDP, SMTP, FTP, PPPoE, DHCP, DDNS, NTP, UPnP, 3GPP

All product specifications on this brochure are subject to change without notice.

All logos & trade marks represent the registered users only. All right reserved.

CANADA:
351 Ferrier Street, Unit 5
Markham, ON L3R 5Z2
Toll Free: 1-866-843-6865
Tel: 416-410-6865
Fax: 1-866-331-3341

USA:
700 Ensminger Rd. Suite 104
Tonawanda, NY 14150 USA
Toll Free: 1-866-843-6865
Local: 1-716-877-7277
Fax: 1-866-331-3341

info@watchnetdvr.com
www.watchnetdvr.com

INDIA:
E-98, Ground Floor
Lajpat Nagar-I
New Delhi-110024
Tell: +91 11 29824005
Fax: +91 11 29824005

UAE:
P O Box No 8425
Dubai, UAE
Tel: + 971 4 3584458
Fax: + 971 4 3584458
Mobile : + 971 50 5869290