



MPIX - 20DV

**WatchNET**  
Integrated Digital Technologies

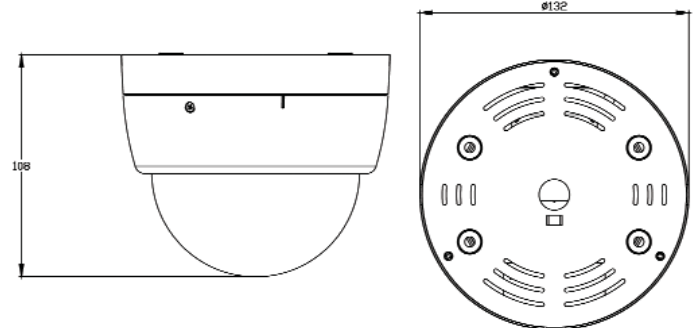


**Real Time HD images with Exceptional Clarity & Depth**

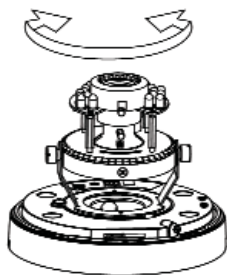
**Features:**

- ❖ High Definition 1600x1200
- ❖ Analog Video out available
- ❖ 2-Megapixel CMOS sensor
- ❖ 3-Axis bracket adjustments
- ❖ Power over Ethernet (POE)
- ❖ Vari-focal 4mm ~ 10mm Megapixel Lens
- ❖ H.264/ JPEG / MPEG4 compression
- ❖ 2-way audio
- ❖ Mechanical IR Cut filter
- ❖ Support cell phone/PDA/3GPP
- ❖ Triple codec network streaming

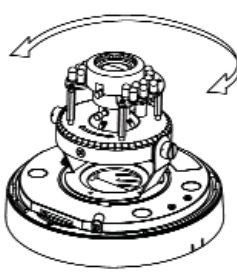
**2-Megapixel IR 3-Axis IP Camera**



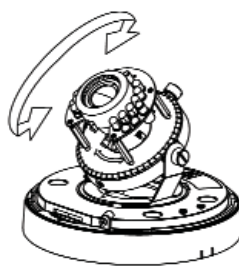
Pan: 175°



Rotation: 180°



Tilt: 75°



3-Axis Bracket



64 HD-NDVR Software

www.watchnetdvr.com



## System

Video Resolution	1600x1200, 1280x1024, 1280x960,1280x720,800x600,640x480, 320x240, 176x144
Triple Streaming	Yes
Video Adjust	Brightness, Contrast, Sharpness, BLC, Night Mode
Image Snapshot	Yes
Full Screen Monitoring	Yes
Privacy Mask	Yes, 3 different areas
Compression Format	H.264/ M-JPEG/ MPEG4(3GPP only)
Video Bitrates Adjust	CBR, VBR
Motion Detection	Yes, 3 different areas
Triggered Action	Mail, FTP, Save to SD card, Relay
Pre/ Post Alarm	Yes, configurable
Security	Password protection
Firmware Upgrade	HTTP mode, can be upgraded remotely
Simultaneous Connection	Up to 10
Audio	Yes, 2-way

## SD Card Management

Recording Trigger	Motion Detection, IP check, Network break down (wire only), Schedule, relay
Video format	AVI, JPEG
Video Playback	Yes
Delete Files	Yes

## Client System Requirements

OS	Windows 2000, XP, 2003, Microsoft IE 6.0 or above
Suggested Hardware	Intel Dual Core 1.66G, RAM: 1024MB, Graphic card: 128MB
Minimum Hardware	Intel-C 2.8G, RAM: 512MB, Graphic card: 64MB

## Hardware

CPU	ARM 9, 32 bit RISC
RAM / FLASH	256MB / 16MB
Image Sensor	1/3.2" CMOS (2 Magapixels)
Sensitivity	0 lux @ F/1.5
Lens Type	Vari-focal 4mm ~ 10mm Megapixel Lens
Support DC IRIS	Yes
ICR	Mechanical IR cut Filter
I/O	1 in/ 1 Relay Out
RS-485	YES
Video Out	1
Audio In	1
Audio Out	1
Power over Ethernet	Optional
Power	DC 12V, 470mA
3-Axis Bracket Adjustment Angle	Pan: 175°, Tilt 75°, Rotation 180°
Operating Temperature	0°C ~ +40°C
Dimensions	132mm(ø) x 108mm(H)

## Network

Ethernet	10/ 100 Base-T
Network Protocol	HTTP, TCP/ IP, UDP, SMTP, FTP, PPPoE, DHCP, DDNS, NTP, UPnP, 3GPP

*All product specifications on this brochure are subject to change without notice.*

*All logos & trade marks represent the registered users only. All right reserved.*

**CANADA:**  
351 Ferrier Street, Unit 5  
Markham, ON L3R 5Z2  
Toll Free: 1-866-843-6865  
Tel: 416-410-6865  
Fax: 1-866-331-3341

**USA:**  
700 Ensminger Rd. Suite 104  
Tonawanda, NY 14150 USA  
Toll Free: 1-866-843-6865  
Local: 1-717-517-8687  
Fax: 1-866-331-3341

[info@watchnetdvr.com](mailto:info@watchnetdvr.com)  
[www.watchnetdvr.com](http://www.watchnetdvr.com)

**INDIA:**  
E-98, Ground Floor  
Lajpat Nagar-I  
New Delhi-110024  
Tell: +91 11 29824005  
Fax: +91 11 29824005

**UAE:**  
P O Box No 8425  
Dubai, UAE  
Tel: + 971 4 3584458  
Fax: + 971 4 3584458  
Mobile : + 971 50 5869290