



MPiX-30VDV-IR

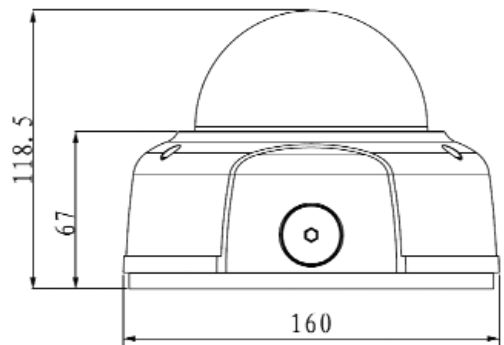
WatchNET®
Integrated Digital Technologies



Features:

- ❖ High-performance TI DaVinci series DSP
- ❖ 1/2.8" 3.0 Megapixel SONY progressive scan Exmor CMOS image sensor
- ❖ 15fps at 3.0M(2048×1536) and 25/30fps at 1080P resolution
- ❖ H.264 video compression and JPEG image capture
- ❖ Max 32GB Hot-swappable SD card for local storage
- ❖ Built-in web server, NVR, MSS & CMS
- ❖ Dual encoding streams supported
- ❖ Support ICR true Day/Night
- ❖ Support DC12V/AC24V dual power supply, POE
- ❖ Support C/CS Auto Iris lens 4.5~10mm/F1.6
- ❖ Support Alarm I/O, RS485 interface
- ❖ Full HD 1080P

1/2.8" 3.0M CMOS Full-HD Network Camera



iPhone



BlackBerry



Jailbreak iPhone



64 HD-NDVR Software

www.watchnetdvr.com



| Model | | MPix-30VDV-IR(P) | MPix-30VDV-IR(N) |
|----------------------------|-----------------------|---|--|
| General | Processor | TI DaVinci Series DSP | |
| | Operating System | Embedded LINUX | |
| | Resource | Simultaneous remote monitoring, local recording and remote control | |
| | Model User Interface | WEB, DSS, PSS | |
| Camera | Image Sensor | 1/2.8" 3.0 Megapixel SONY progressive scan Exmor CMOS | |
| | Effective Pixels | 2096(H)×1561(V) | |
| | Electronic Shutter | Auto/Manual, 1/50~1/10000s | Auto/Manual, 1/60~1/10000s |
| | Min. Illumination | 0.2LUX/F1.6(Color), 0.01LUX/F1.6(B/W);0LUX(IR on) | |
| | Signal Noise Ratio | >50dB | |
| | Gain Control | Auto / Manual | |
| | White Balance | Auto / Manual | |
| | Day/Night | ICR | |
| | Lens | CS mount 4.5~10mm /F1.6 | |
| | IR LED | 20~30 meters | |
| | Auto Iris | Support | |
| | Video Compression | H.264 / JPG | |
| | Video | Image Resolution | 3.0M(2048×1536) / 1080P(1920×1080) / 720P(1280×720) / D1(704×576) / CIF(352×288) / VGA(640×480) |
| Encoding Speed | | Main Stream: 3.0M(1~15fps), 1080P/720P/ D1/CIF/ VGA(1~25fps) | Main Stream: 3.0M(1~15fps), 1080P/720P/ D1/CIF/ VGA(1~30fps) |
| | | Extra Stream: D1/CIF (1~25fps) | Extra Stream: D1/CIF (1~30fps) |
| Bit Rate | | 160K~8Mbps | |
| Snapshot | | Fastest 1fps JPEG capture | |
| Video Format | | PAL | NTSC |
| Analogue Video Output | | 1 channel BNC(1.0Vp-p, 75Ω) | |
| Audio | Audio Compression | G.711a / G.711u / PCM | |
| | Bit Rate | 128kbps/64kbps/10.2kbps | |
| | Input | 1 channel 3.5mm Jack Mic in | |
| | Output | 1 channel 3.5mm Jack Speak out | |
| Network | Ethernet | RJ-45(10/100Base-T) | |
| | Wi-Fi | Optional, 802.11b/802.11g | |
| | Network Functions | HTTP, TCP/IP, ICMP, RTSP, RTP, UDP, SMTP, NTP, DHCP, DNS, IP Filter, PPPOE, DDNS, FTP, Alarm Server | |
| | Remote Operation | Monitor, PTZ control, Playback, System setting, File download, Log information, Maintenance & Upgrade | |
| Auxiliary Interface | SD Card | Max 32GB, local storage | |
| | RS485 | PTZ control | |
| Environmental | Alarm | 1 Input / 1 Output | |
| | Power Supply | DC12V/AC24V, PoE | |
| | Power Consumption | <10W | |
| | Operating Environment | -10~+60°C, 10%~90% | |
| | Dimension | φ160mm x 118.5mm | |
| | Weight | 1.25kg | |

All logos & trade marks represent the registered users only. All rights reserved.
All product specifications on this brochure are subject to change without notice.

CANADA:
351 Ferrier Street, Unit 5
Markham, ON L3R 5Z2
Toll Free: 1-866-843-6865
Tel: 416-410-6865
Fax: 1-866-331-3341

USA:
700 Ensminger Rd. Suite 104
Tonawanda, NY 14150 USA
Toll Free: 1-866-843-6865
Local: 1-716-877-7277
Fax: 1-866-331-3341

info@watchnetdvr.com
www.watchnetdvr.com

INDIA:
E-98, Ground Floor
Lajpat Nagar-I
New Delhi-110024
Tell: +91 11 29824005
Fax: +91 11 29824005

UAE:
P O Box No 8425
Dubai, UAE
Tel: + 971 4 3584458
Fax: + 971 4 3584458
Mobile : + 971 50 5869290