

# XDD

XTREME DIGITAL DYNAMICS



XDD-VDV-IR / XDD-VDV-IR-P

## WatchNET

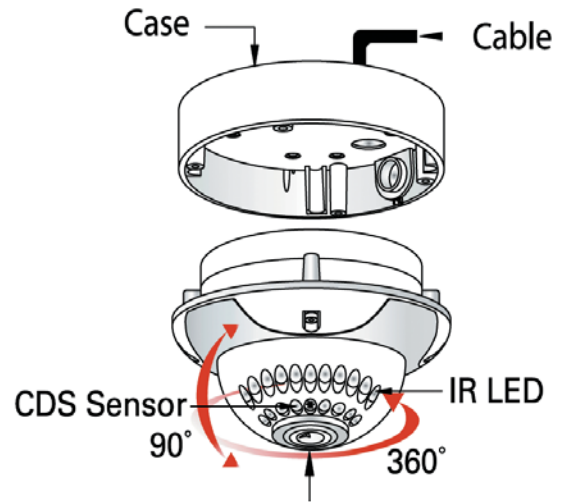
Integrated Digital Technologies



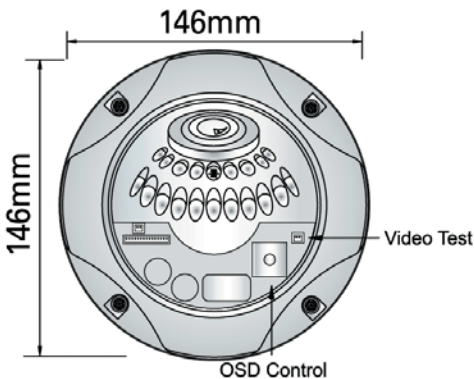
### Features:

- ❖ XDD vandal proof dome is newest in technology advancement, True Day / Night Capability
- ❖ Low light DNR and unique **SENSEFIER** technology brightens up the night without IR illuminator
- ❖ Flexible 3 Axis mount with sealed IP66 Housing makes this camera stand up to most adverse weather conditions
- ❖ 2.8 mm to 12 mm varifocal lens with IR cut filter coupled with 3 DNR and sensitive technology, gives crisp clear picture in star light condition
- ❖ Flexible OSD function gives the camera adjustable menu functions to suite indoor / outdoor applications
- ❖ Flush or surface mount

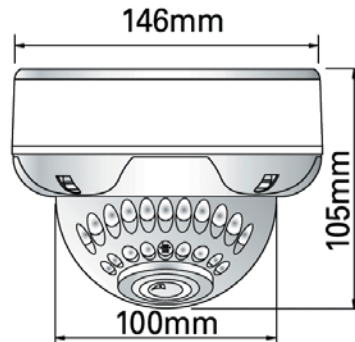
### ULTRA HI RESOLUTION VANDAL PROOF DOME IR CAMERA



DC Auto Iris Varifocal Lens (2.8mm ~ 12mm)



FRONT



SIDE





1. Normal



2. D-WDR ON



1. Normal IR



2. Smart IR

SPECIFICATIONS	XDD-VDV-IR(NTSC) / XDD-VDV-IR-P(PAL)
Sensor	1/3" Sony Super HAD II CCD
Total Pixels	NTSC=811(H)x508(V) / PAL=795(H)x595(V)
Effective Pixels	NTSC=768(H)x494(V) / PAL=752(H)x582(V)
Scanning System	2:1 Interlace
Synchronization	Internal / Line Lock
O.S.D.	Available
Dynamic Range	52dB (*128)
Backlight	BLC / HSBLIC / Off Selectable
Resolution	600 TV Lines (Color), 680 TV Lines (B&W)
S/N (Y signal)	52dB (AGC Off, Weight On)
Min. Illumination	0.00001Lux F.1.2 (Sens-up*258X) / 0.00001Lux IR ON
Lens	2.8mm ~ 12mm Auto Iris Varifocal IR Cut / Day & Night Lens
White Balance	ATW/AWB/Indoor/Outdoor/Manual/AWC
Electronic Shutter Speed	1/60sec ~ 1/120,000sec
Sensefier	Auto/Fixed/Off (Selectable Limit*2~*258)
Gain Control	High/Middle/Low/Off Selectable
DNR	Off/On (1 ~ 50 Level Adjustable)
D-WDR	Indoor/Outdoor/Off
Motion Detection	On/Off (4 Zone, Alarm Output)
Privacy	On/Off (8 Zone)
Mirror	Off/Mirror/V-Rev/Rotate
Freeze	On / Off
Sharpness	0 ~ 31 (Level Adjustable)
D&N Selection	Color/Auto/Ext/BW
Digital Zoom	On (*32) / Off
Blemish Compensation	256 Point (Event 128 Point/ODD 128 Point)
Power	DC 12V only (models XDD-DF, XDD-DV); Dual Voltage (models XDD-VDV, XDD-SBC)
Power Consumption	IR LED ON:700MA Max
Operating Temp./Humid	from -30°C ~ +50°C / -22°F ~ +122°F RH 95% Max
Storage Temp./Humid..	-20°C ~ +60°C / -4°F ~ +140°F RH 95% Max
Dimension	146mm(W) * 105mm(H) * 146mm(D)
Weight	1800g

All logos & trade marks represent the registered users only. All right reserved.  
 All product specifications on this brochure are subject to change without notice.

CANADA:  
 351 Ferrier Street, Unit 5  
 Markham, ON L3R 5Z2  
 Toll Free: 1-866-843-6865  
 Tel: 416-410-6865  
 Fax: 1-866-331-3341

USA:  
 700 Ensminger Rd. Suite 104  
 Tonawanda, NY 14150 USA  
 Toll Free: 1-866-843-6865  
 Local: 1-717-517-8687  
 Fax: 1-866-331-3341



info@watchnetdvr.com  
 www.watchnetdvr.com

INDIA:  
 CE-98, Ground Floor  
 Lajpat Nagar-I  
 New Delhi-110024  
 Tell: +91 11 29824005  
 Fax: +91 11 29824006

UAE:  
 P O Box No 8425  
 Dubai, UAE  
 Tel: + 971 4 3963067  
 Fax: + 971 4 3963067  
 Mobile : + 971 50 5869290