

# XDD

XTREME DIGITAL DYNAMICS



XDD-VDV / XDD-VDV-L

## WatchNET

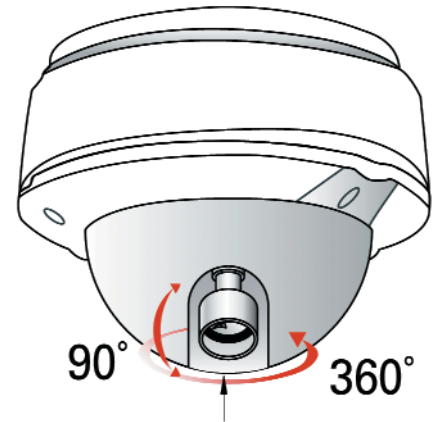
Integrated Digital Technologies



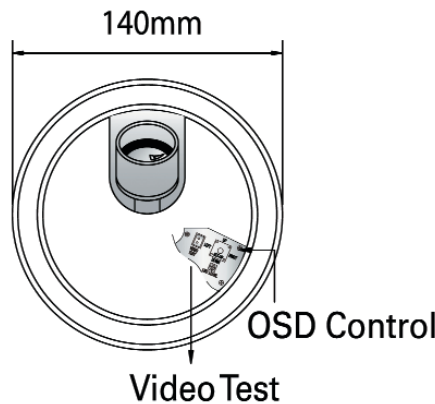
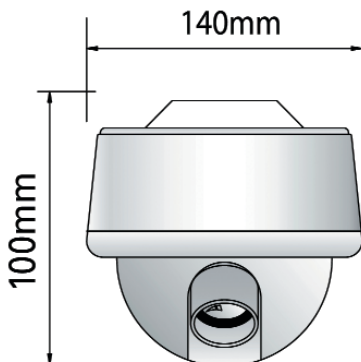
### Features:

- ❖ XDD vandal proof dome is newest in technology advancement, True Day / Night Capability
- ❖ Low light DNR and unique **SENSEFIER** technology brightens up the night without IR illuminator
- ❖ Flexible 3 Axis mount with sealed IP66 Housing makes this camera stand up to most adverse weather conditions
- ❖ Varifocal lens with IR cut filter coupled with 3 DNR and sensitive technology, gives crisp clear picture in star light condition
- ❖ Flexible OSD function gives the camera adjustable menu functions to suite indoor / outdoor applications
- ❖ Flush or surface mount selectable

### ULTRA HI RESOLUTION VANDAL PROOF DOME CAMERA



DC Auto Iris Varifocal Lens  
2.8mm ~ 12mm(VDV) / (3.5mm ~ 16mm)(VDV-L)





**1. Normal**



**2. D-WDR ON**

SPECIFICATIONS	XDD-VDV / XDD-VDV-L
Sensor	1/3" Sony Super HAD II CCD
Total Pixels	NTSC=811(H)x508(V) / PAL=795(H)x595(V)
Effective Pixels	NTSC=768(H)x494(V) / PAL=752(H)x582(V)
Scanning System	2:1 Interlace
Synchronization	Internal / Line Lock
O.S.D.	Full function menu
Dynamic Range	52dB (*128) or less
Video Output Signal	1Vp-p composite (75 ohms)
Scanning frequency - (V)	15.625 KHz (H) and 50 Hz (V)
Auto Exposure	Automatic Level Control/Electronic Level Control
Signal Process	Digital Signal Process
Backlight	BLC / HSBLC / Off Selectable
Resolution	600 TV Lines (Color), 680 TV Lines (B&W)
S/N (Y signal)	52dB (AGC Off, Weight On)
Min. Illumination	0.00001Lux F.1.2 (Sens-up*258X)
Lens	2.8mm ~ 12mm (VDV) / 3.5mm ~ 16mm(VDV-L) Varifocal Auto Iris with IR Cuter
White Balance	ATW/AWB/Indoor/Outdoor/Manual/AWC
Electronic Shutter Speed	1/60sec ~ 1/120,000sec
Sensefier	Auto/Fixed/Off (Selectable Limit*2~*258)
Gain Control	High/Middle/Low/Off Selectable
DNR	Off/On (1 ~ 50 Level Adjustable)
D-WDR	Indoor/Outdoor/Off
Motion Detection	On/Off (4 Zone, Alarm Output)
Privacy	On/Off (8 Zone)
Mirror	Off/Mirror/V-Rev/Rotate
Freeze	On / Off
Sharpness	0 ~ 31 (Level Adjustable)
D&N Selection	Color/Auto/Ext/BW
Digital Zoom	On (*32) / Off
Blemish Compensation	256 Point (Event 128 Point/ODD 128 Point)
Power	DC 12V only (models XDD-DF, XDD-DV); Dual Voltage (models XDD-VDV, XDD-SBC)
Power Consumption	120 MA
Operating Temp./Humid.	from -30°C ~ +50°C / -22°F ~ +122°F RH 95% Max
Storage Temp./Humid.	-20°C ~ +60°C / -4°F ~ +140°F RH 95% Max
Dimension	146mm(W) * 105mm(H) * 146mm(D)
Weight	1800g

All logos & trade marks represent the registered users only. All rights reserved.  
 All product specifications on this brochure are subject to change without notice.

**CANADA:**  
 351 Ferrier Street, Unit 5  
 Markham, ON L3R 5Z2  
 Toll Free: 1-866-843-6865  
 Tel: 416-410-6865  
 Fax: 1-866-331-3341

**USA:**  
 700 Ensminger Rd. Suite 104  
 Tonawanda, NY 14150 USA  
 Toll Free: 1-866-843-6865  
 Local: 1-717-687-8736  
 Fax: 1-866-331-3341



info@watchnetdvr.com  
 www.watchnetdvr.com

**INDIA:**  
 E-98, Ground Floor  
 Lajpat Nagar-I  
 New Delhi-110024  
 Tell: +91 11 29824005  
 Fax: +91 11 29824006

**UAE:**  
 P O Box No 8425  
 Dubai, UAE  
 Tel: + 971 4 3963067  
 Fax: + 971 4 3963067  
 Mobile : + 971 50 5869290