

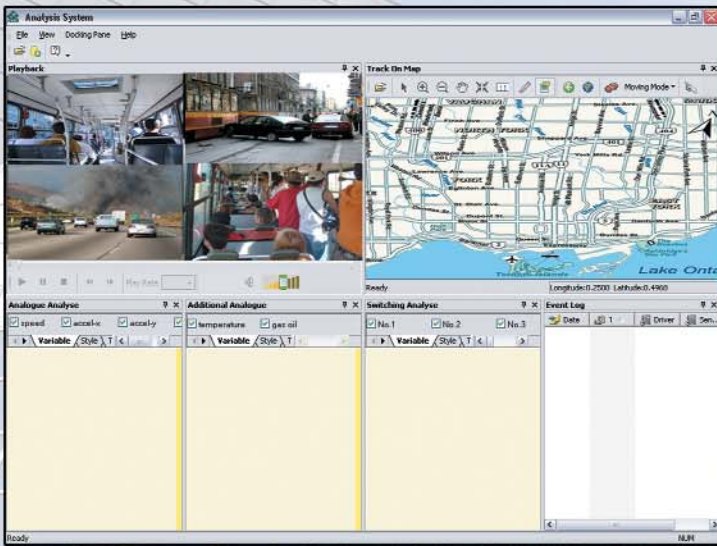


WatchNET

Integrated Digital Technologies



GPS Mobile DVR



- Real time GPS Tracking/Viewing
- Optional WI-FI & Cellular Video Networking
- Analyzing software
- Multi-Media Playback
- Removable HDD with USB for Laptop connection
- Shock Resistant Design
- Full event logging of every operation controlled by the MDVR
- Multiple alarm inputs with selectable pre-alarm and post-alarm recording
- MPEG-4 video compression
- Mapping software available at additional cost



SATA HDD



Full range of accessories to complete any installations.

Applications



School Bus

- Monitor safe bus operation.
Example: Stopping, signaling, opening/closing doors, speed, etc.
- Monitor student activities inside the bus, entry/exit.
- Instant back-up of recording events.
- Monitor student activities inside the bus, entry/exit.
- Auto upload of alarms.
- Monitor real view on backing up.

Transport Industry

- Record activities on the road for safe driving.
- Keep track of routes, speed, delay times to increase productivities.
- Monitor rear and internal activities.
- Reduce insurance costs and increase custom satisfaction.



Taxi & Limo

- Monitor safe bus operation.
- Monitor student activities inside the bus, entry/exit.
- Instant back-up of recording events.
- Monitor student activities inside the bus, entry/exit.
- Auto upload of alarms.
- Monitor real view on backing up.



Commuter Bus

- Record onward traffic and reduce insurance costs.
- Record passengers entry/exit, fare box activities and reduce assaults and inappropriate behaviors.
- Monitor rear view while backup.
- Media playback on large monitor for commercials and generate ongoing revenue.
- Auto download daily activities to server.
- Audio recording available.

Law Enforcement

- Record real time audio/video.
- Road monitor camera can record evidence for law enforcement.
- Keep track of rear seats occupants.
- Rear camera view on demand or on backup.
- Auto backup all events to server for archiving.



Multiple Unlimited Mobile Applications

Rugged, fan less design with removable hard drive bay.
Can be used in any situation that requires a robust recording device, utilizing minimal space.
Fits all applications: from personal use, right up to military level specifications.



SYSTEM SPECIFICATIONS:

SYSTEM CONFIGURATION:

OS.....Linux
 Operation Interface.....Hand-held, IR controller with On-Screen Display (OSD) for all operations of the MDVR
 Storage.....80, 160, 320 and 500 (2.5-in. mobile anti-vibration and shock resistance HDD support)
 Signal System.....NTSC/PAL
 Input Voltage.....12-volt DC or 24-volt DC (can range from 7v ~ 28v DC)

VIDEO:

Camera Input.....4, 8 cameras
 Output.....2 Analog and 1 VGA
 Display.....4 Video Windows Screen
 Image Quality.....8 - Level Adjustable
 Fwd/Playback speed.....x2, x4, x1/2, x1/4
 Stream Standard.....CIF(352x288 pixels for NTSC, 360x240 pixels for PAL), 1/2D1(704x288 pixels for NTSC, 720 x 240 pixels for PAL)
 Image Compression.....12.5K-112.5KB/s, 25K-150KB/s
 Max FPS.....60FPS, 15 fps/ch
 Display Res.....TV monitor 704x576 / 720x480 pixels (D1), VGA output 720x576 / 720x480 pixels (D1)

AUDIO:

Audio Input4, 8 (stereo)
 Audio Output1 (stereo)

ALARM:

InputUp to 8 sensor inputs (analog/ digital)
 Multi-mode.....Auto-reset after power-break, auto-alarm when missing signal input

NETWORK INTERFACE:

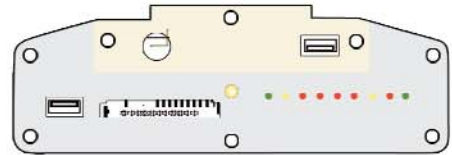
Serial Interface.....RS485, RS232
 Network Interface.....RJ-45 10M / 100M Ethernet connector
 Network Transport Protocol.....TCP / IP

OTHERS:

External Notebook PC.....HDD Bay --1 IDE HDD, FAT32 format
 Storage Mode.....2.5" HDD
 Time Clock.....Built-in clock, Perpetual calendar
 Data R/W mode.....FIFO
 Operating Temp.....0~50° C
 Humidity.....(+ -) 80%
 USB.....Connection to PC

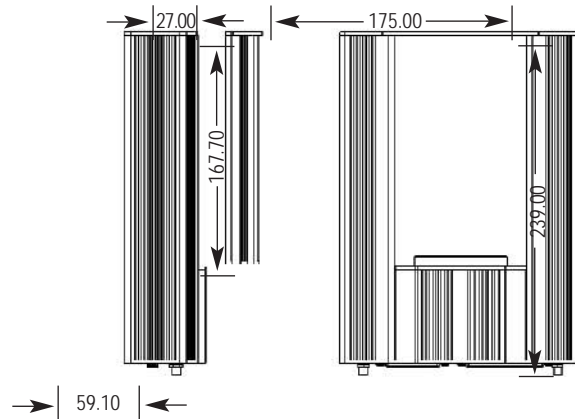
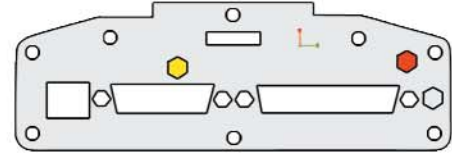
Assembled Chassis Details

Height - 59.10mm/2.3in
 Width-175.00mm/6.9in
 Depth-239.00mm/ 9.4in
 Weight-3500g/7.71p
 Depth-239.00mm/9.4in



Removable HDD Module

Height-27.00mm/1.06in
 Width-110.00mm/4.3in
 Depth-167.70mm/ 6.6in
 HDD Module Removal Clearance 173mm/6.8in
 Cable Installation Clearance (back side) 60mm/2.36in



Authorized Dealer:



USA:
 275 Cooper Avenue, Suite 105
 Tonawanda, NY, 14150, USA
 Tel: 1-866-843-6865
 Local: 1-716-877-7277
 Fax: 1-866-331-3341

Canada:
 351 Ferrier Street Unit 5
 Markham, Ontario L3R 5Z2
 Toll Free: 1-866-843-6865
 Tel: 416-410-6865
 Fax: 1-866-331-3341