

# XDD

XTREME DIGITAL DYNAMICS



XDD-SBC - XDD-SBC-P \*

## WatchNET

Integrated Digital Technologies

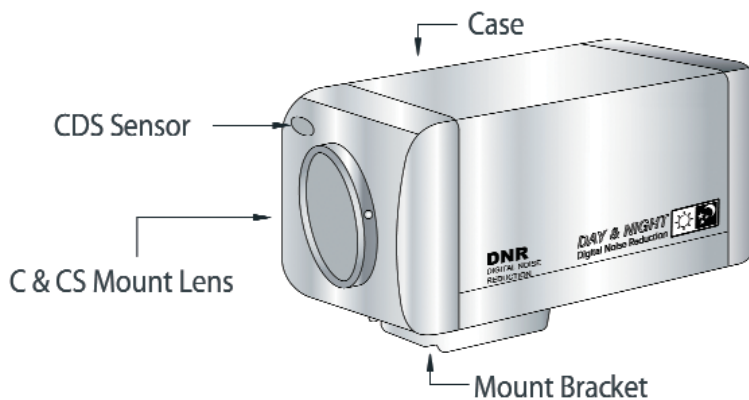
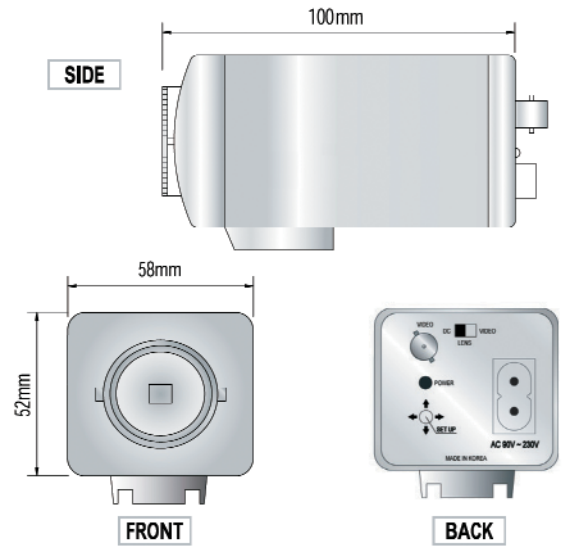


### Features:

- ❖ This heavy duty box type camera is designed to produce best picture quality with flexible OSD setting to suit indoor / outdoor applications
- ❖ Digital WDR gives a balanced clear picture, even in intense backlight situation
- ❖ True Day & Night function / Auto Iris lens compatible
- ❖ Low light DNR and unique **SENSEPIER** technology brightens up the night without IR luminator
- ❖ C & CS Mount Lens Supported

\*Lens not included

### ULTRA HI RESOLUTION BOX CAMERA



Available housing with heater & blower SOH BC





**1. Normal**



**2. D-WDR ON**

SPECIFICATIONS	XDD-SBC(NTSC) / XDD-SBC-P(PAL)
Sensor	1/3" Sony Super HAD II CCD
Total Pixels	NTSC=811(H)x508(V) / PAL=795(H)x595(V)
Effective Pixels	NTSC=768(H)x494(V) / PAL=752(H)x582(V)
Scanning System	2:1 Interlace
Synchronization	Internal / Line Lock
O.S.D.	Available
Dynamic Range	52dB (*128)
Lens Type	C/CS Mount supported
Lens Control	DC Drive
Video Output Signal	1Vp-p composite (75 ohms)
Scanning frequency (V)	15.625 KHz (H) and 50 Hz (V)
Auto Exposure	Automatic Level Control / Electronic Level Control
Signal Process	Digital Signal Process
Backlight	BLC / HSBLC / Off Selectable
Resolution	600 TV Lines (Color), 680 TV Lines (B&W)
S/N (Y signal)	52dB (AGC Off, Weight On)
Min. Illumination	0.00001Lux F.1.2 (Sens-up*258X)
C & CS Mount Lens	Optional
White Balance	ATW/AWB/Indoor/Outdoor/Manual/AWC
Electronic Shutter Speed	1/60sec ~ 1/120,000sec
Sensefier	Auto/Fixed/Off (Selectable Limit*2~*258)
Gain Control	High/Middle/Low/Off Selectable
DNR	Off/On (1 ~ 50 Level Adjustable)
D-WDR	Indoor/Outdoor/Off
Motion Detection	On/Off (4 Zone, Alarm Output)
Privacy	On/Off (8 Zone)
Mirror	Off/Mirror/V-Rev/Rotate
Freeze	On / Off
Sharpness	0 ~ 31 (Level Adjustable)
D&N Selection	Color/Auto/Ext/BW
Digital Zoom	On (*32) / Off
Blemish Compensation	256 Point (Event 128 Point/ODD 128 Point)
Power	DC 12V only (models XDD-DF, XDD-DV); Dual Voltage (models XDD-VDV, XDD-SBC)
Power Consumption	120 mA
Lens	Auto Iris Lens C/CS Mount Compatible
Operating Temp./Humid.	from -30°C ~ +50°C / -22°F ~ +122°F RH 95% Max with optional housing
Storage Temp./Humid.	-20°C ~ +60°C / -4°F ~ +140°F RH 95% Max
Dimension	58mm(W) * 52mm(H) * 100mm(D)
Weight	400g

All logos & trade marks represent the registered users only. All right reserved.  
All product specifications on this brochure are subject to change without notice.

**CANADA:**  
351 Ferrier Street, Unit 5  
Markham, ON L3R 5Z2  
Toll Free: 1-866-843-6865  
Tel: 416-410-6865  
Fax: 1-866-331-3341

**USA:**  
700 Ensminger Rd. Suite 104  
Tonawanda, NY 14150 USA  
Toll Free: 1-866-843-6865  
Local: 1-717-687-8736  
Fax: 1-866-331-3341

Division of  
**Videon**  
Integrated Digital Technologies Ltd.  
info@watchnetdvr.com  
www.watchnetdvr.com

**INDIA:**  
E-98, Ground Floor  
Lajpat Nagar-I  
New Delhi-110024  
Tell: +91 11 29824005  
Fax: +91 11 29824005

**UAE:**  
P O Box No 8425  
Dubai, UAE  
Tel: + 971 4 3584458  
Fax: + 971 4 3584458  
Mobile : + 971 50 5869290