

EDGE

by WatchNET
www.watchnetdvr.com



*Lens not included

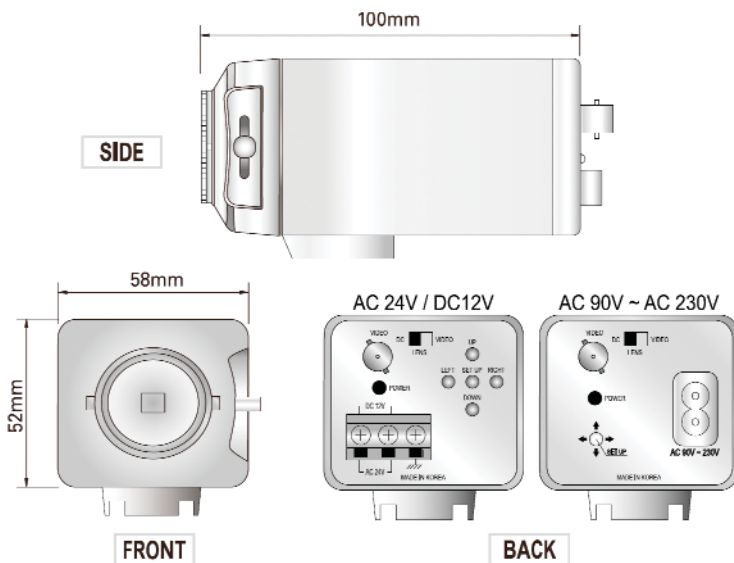
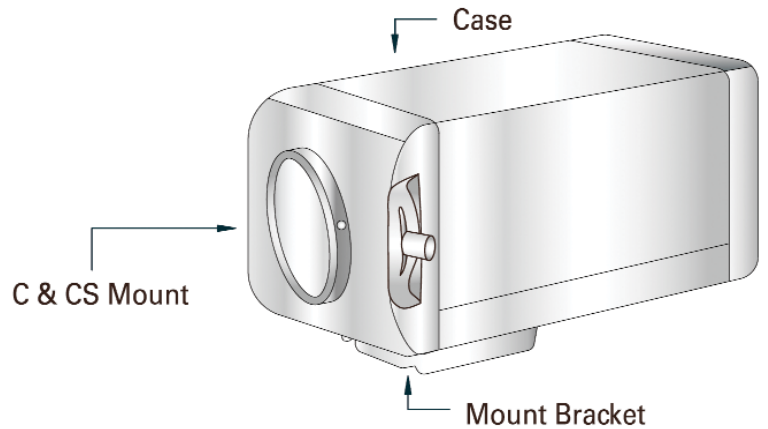
EDGE-SBC / EDGE-SBC-P*

HI RESOLUTION DAY & NIGHT BOX CAMERA



Features:

- ❖ 1/3" SONY SUPER HAD CCD
- ❖ 540 TV Lines
- ❖ Day & Night
- ❖ C & CS Mount Lens
- ❖ DC 12V
- ❖ Built-in OSD



Available housing/Bracket
SOH-BC BLACK-BOX

SPECIFICATIONS	EDGE-SBC(NTSC) / EDGE-SBC-P(PAL)
Sensor	1/3" Sony Super HAD CCD
Total Pixels	NTSC=811(H)x508(V) / PAL=795(H)x595(V)
Effective Pixels	NTSC=768(H)x494(V) / PAL=752(H)x582(V)
Scanning System	2:1 Interlace
Synchronization	Internal
O.S.D.	Built-in
Gamma Characteristic	r=0.45
Resolution	540 TV Lines
S/N (Y signal)	More than 50dB
Min. Illumination	0.1Lux
Lens	2.8mm ~ 12mm Auto Iris Varifocal / Day & Night Lens
White Balance	ATW/AWB/FIXED/MANUAL
Electronic Shutter Speed	NTSC=Auto/Manual(1/60sec~1/120,000sec) / PAL=Auto/Manual(1/50sec~1/120,000sec)
Video Output	CVBS : 1.0Vp-p 75ohm
BLC	On / Off
AGC	On / Off
Day&Night(Color / B/W)	Color / Auto / B/W
Display Adjust	Contrast / Sharpness / CB-Gain / CR-Gain
Privacy	On / Off (4 Programmable Zone)
Power Supply	DC 12V
Power Consumption	120MA
Operating Temp./Humid	-10°C ~ +50°C / +14°F ~ +122°F, RH 95% Max.
Storage Temp./Humid..	-20°C ~ +60°C / -4°F ~ +140°F RH 95% Max
Dimension	58mm(W) x 52mm(H) x 100mm(D)
Weight	300g

All logos & trade marks represent the registered users only. All rights reserved.
All product specifications on this brochure are subject to change without notice.

*Lens not included.

CANADA:
351 Ferrier Street, Unit 5
Markham, ON L3R 5Z2
Toll Free: 1-866-843-6865
Tel: 416-410-6865
Fax: 1-866-331-3341

USA:
700 Ensminger Rd. Suite 104
Tonawanda, NY 14150 USA
Toll Free: 1-866-843-6865
Local: 1-717-517-8687
Fax: 1-866-331-3341

Division of

Integrated Digital Technologies Ltd.
info@watchnetdvr.com
www.watchnetdvr.com

INDIA:
E-98, Ground Floor
Lajpat Nagar-I
New Delhi-110024
Tell: +91 11 29824005
Fax: +91 11 29824005

UAE:
P O Box No 8425
Dubai, UAE
Tel: + 971 4 3584458
Fax: + 971 4 3584458
Mobile : + 971 50 5869290