

# EDGE

by WatchNET  
www.watchnetdvr.com



## HI RESOLUTION WEATHER PROOF IR DOME CAMERA

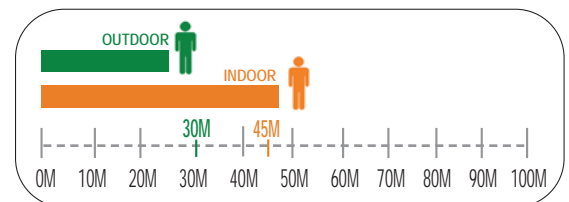
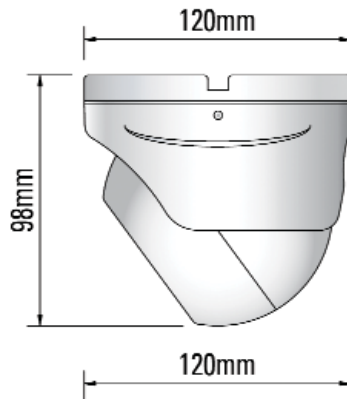
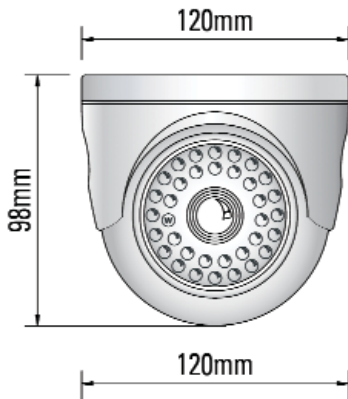
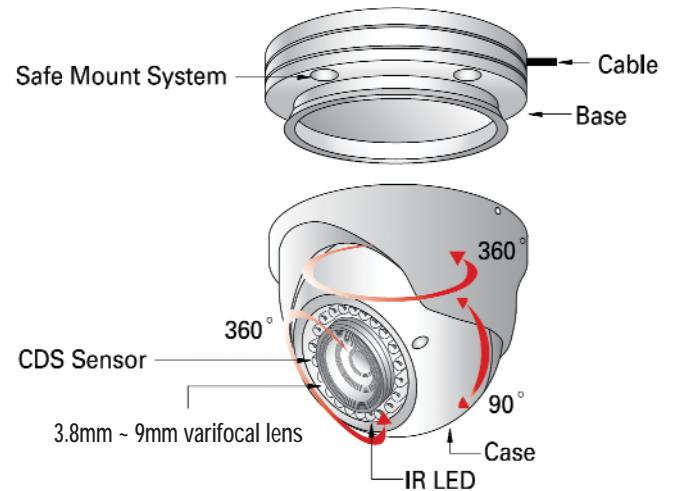
EDGE-IRBV / EDGE-IRBV-W

EDGE-IRBV-P / EDGE-IRBV-WP



### Features:

- ❖ 1/3" SONY SUPER HAD CCD
- ❖ Armor ball dome design
- ❖ Vandal resistant metal body
- ❖ Hi resolution color module
- ❖ 36 infrared LEDs
- ❖ 360° Pan and 180° Tilt manually adjustable
- ❖ 3.8 to 9mm varifocal lens
- ❖ 0.001 Lux night-vision
- ❖ Dual window for no IR reflection
- ❖ CDS IR Light Auto Control
- ❖ Low power consumption green technology



SPECIFICATIONS	EDGE-IRBV, EDGE-IRBV-W(NTSC) / EDGE-IRBV-P, EDGE-IRBV-WP(PAL)
Sensor	1/3" Sony Super HAD CCD
Total Pixels	NTSC=811(H)x508(V) / PAL=795(H)x595(V)
Effective Pixels	NTSC=768(H)x494(V) / PAL=752(H)x582(V)
Scanning System	2:1 Interlace
Synchronization	Internal
O.S.D.	Built-in
S/N Ratio	>52dB
Gamma Characteristic	r=0.45
Resolution	540 TV Lines
Min. Illumination	0.001 LUX (IR LED ON)
Lens	3.8mm ~ 9mm Vary-focal Lens
White Balance	ATW/AWB/FIXED/MANUAL
Electronic Shutter Speed	NTSC=Auto/Manual(1/60sec~1/120,000sec) / PAL=Auto/Manual(1/50sec~1/120,000sec)
Video Output	1Vp-p 75ohm Y/C Separated
BLC / AGC	Auto
Day&Night(Color / B/W)	Color / Auto / B/W
Display Adjust	Contrast / Sharpness / CB-Gain / CR-Gain
Privacy	On / Off (4 Programmable Zone)
Power Supply	12VDC (+/-10%)
Power Consumption	120MA
Connector Video	BNC
Operating Temp./Humid	-28°C ~ +55°C / -18°F ~ +122°F, RH 95% Max.
Dimension	120mm(W) * 98mm(H) * 120mm(D)
Weight	800g

All logos & trade marks represent the registered users only. All rights reserved.  
All product specifications on this brochure are subject to change without notice.

**CANADA:**  
351 Ferrier Street, Unit 5  
Markham, ON L3R 5Z2  
Toll Free: 1-866-843-6865  
Tel: 416-410-6865  
Fax: 1-866-331-3341

**USA:**  
700 Ensminger Rd. Suite 104  
Tonawanda, NY 14150 USA  
Toll Free: 1-866-843-6865  
Local: 1-717-687-8736  
Fax: 1-866-331-3341

Division of:  
  
Integrated Digital Technologies Ltd.  
info@watchnetdvr.com  
www.watchnetdvr.com

**INDIA:**  
E-98, Ground Floor  
Lajpat Nagar-I  
New Delhi-110024  
Tell: +91 11 29824005  
Fax: +91 11 29824005

**UAE:**  
P O Box No 8425  
Dubai, UAE  
Tel: + 971 4 3584458  
Fax: + 971 4 3584458  
Mobile : + 971 50 5869290