

# XDD

XTREME DIGITAL DYNAMICS



## WatchNET

Integrated Digital Technologies



XDD-BIMR / XDD-BIMR-P

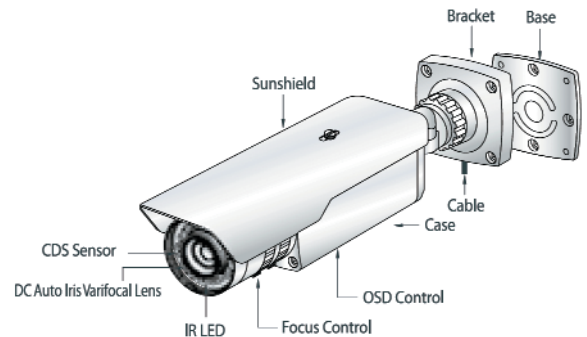
XDD-BILR / XDD-BILR-P



Features:

- ❖ XDD weather proof bullet is newest in technology advancement, True Day / Night Capability
- ❖ Low light DNR and unique **SENSEFIER** technology brightens up the night without IR illuminator
- ❖ Optional 3 mounts with sealed IP66 Housing makes this camera stand up to most adverse weather conditions
- ❖ Varifocal lens with IR cut filter coupled with 3 DNR and sensitive technology, gives crisp clear picture in star light condition
- ❖ Flexible OSD function gives the camera adjustable menu functions to suite indoor / outdoor applications

### LONG RANGE IR BULLET CAMERA



DC Auto Iris with Varifocal IR Cuter  
 3.5mm ~ 16mm (Model BIMR / BIMR-P)  
 5mm ~ 50mm (Model BILR / BILR-P)

### Optional Mounting Accessories



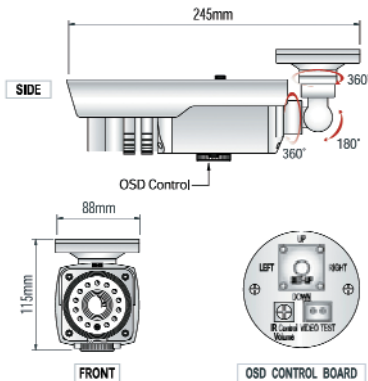
BI JN  
Junction Box



BI PM  
Pole Mount



BI CM  
Corner Mount





**1. Normal**

**2. D-WDR ON**

**1. Normal IR**

**2. Smart IR**

SPECIFICATIONS	XDD-BIMR(NTSC) / XDD-BIMR-P(PAL) / XDD-BILR(NTSC) / XDD-BILR-P(PAL)	
Sensor	1/3" Sony Super HAD II CCD	
Total Pixels	NTSC=811(H)x508(V) / PAL=795(H)x595(V)	
Effective Pixels	NTSC=768(H)x494(V) / PAL=752(H)x582(V)	
Scanning System	2:1 Interlace	
Synchronization	Internal / Line Lock	
O.S.D.	Full function menu	
Dynamic Range	52dB (*128) or less	
Range	50ft	100ft
Backlight	BLC / HSBLCL / Off Selectable	
Resolution	600 TV Lines (Color), 680 TV Lines (B&W)	
S/N (Y signal)	52dB (AGC Off, Weight On)	
Min. Illumination	0.00001Lux F.1.2 (Sens-up*258X)	
Lens	3.5mm ~ 16mm Varifocal Auto Iris with IR Cuter	5mm ~ 50mm Varifocal Auto Iris with IR Cuter
White Balance	ATW/AWB/Indoor/Outdoor/Manual/AWC	
Electronic Shutter Speed	1/60sec ~ 1/120,000sec	
Sensefier	Auto/Fixed/Off (Selectable Limit*2~*258)	
Gain Control	High/Middle/Low/Off Selectable	
DNR	Off/On (1 ~ 50 Level Adjustable)	
D-WDR	Indoor/Outdoor/Off	
Motion Detection	On/Off (4 Zone, Alarm Output)	
Privacy	On/Off (8 Zone)	
Mirror	Off/Mirror/V-Rev/Rotate	
Freeze	On / Off	
Sharpness	0 ~ 31 (Level Adjustable)	
D&N Selection	Color/Auto/Ext/BW	
Digital Zoom	On (*32) / Off	
Blemish Compensation	256 Point (Event 128 Point/ODD 128 Point)	
Power	Dual Voltage (AC24 / DC12V)	
Power Consumption	700 with IR On / 120 Max IR Off	
Operating Temp./Humid.	from -30°C ~ +50°C / -22°F ~ +122°F RH 95% Max	
Storage Temp./Humid.	-20°C ~ +60°C / -4°F ~ +140°F RH 95% Max	
Dimension	124mm(W) * 100mm(H) * 100mm(D)	
Weight	500g	

All logos & trade marks represent the registered users only. All rights reserved.  
 All product specifications on this brochure are subject to change without notice.

**CANADA:**  
 351 Ferrier Street, Unit 5  
 Markham, ON L3R 5Z2  
 Toll Free: 1-866-843-6865  
 Tel: 416-410-6865  
 Fax: 1-866-331-3341

**USA:**  
 700 Ensminger Rd. Suite 104  
 Tonawanda, NY 14150 USA  
 Toll Free: 1-866-843-6865  
 Local: 1-717-517-8687  
 Fax: 1-866-331-3341



info@watchnetdvr.com  
 www.watchnetdvr.com

**INDIA:**  
 E-98, Ground Floor  
 Lajpat Nagar-I  
 New Delhi-110024  
 Tell: +91 11 29824005  
 Fax: +91 11 29824006

**UAE:**  
 P O Box No 8425  
 Dubai, UAE  
 Tel: + 971 4 3963067  
 Fax: + 971 4 3963067  
 Mobile : + 971 50 5869290